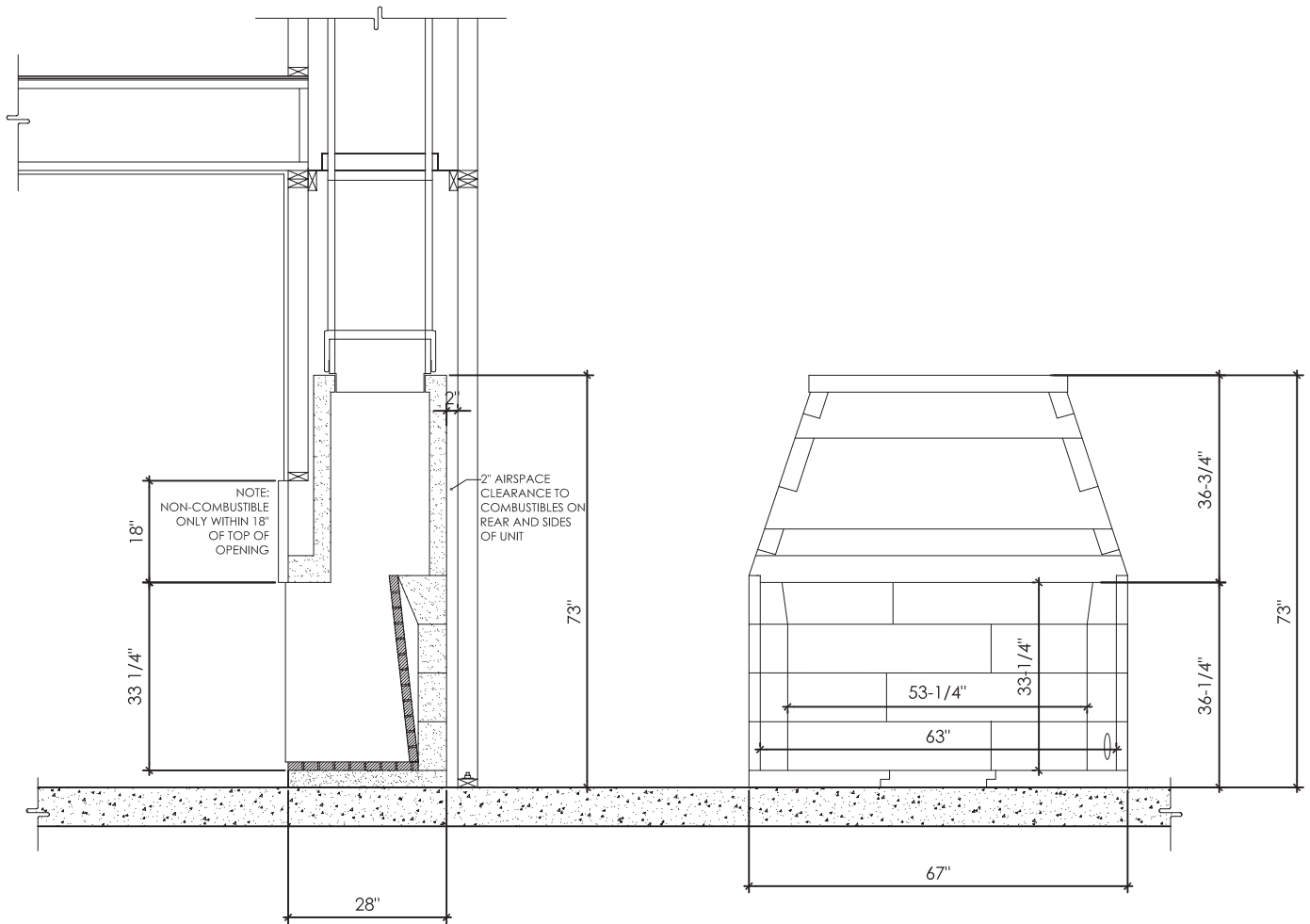
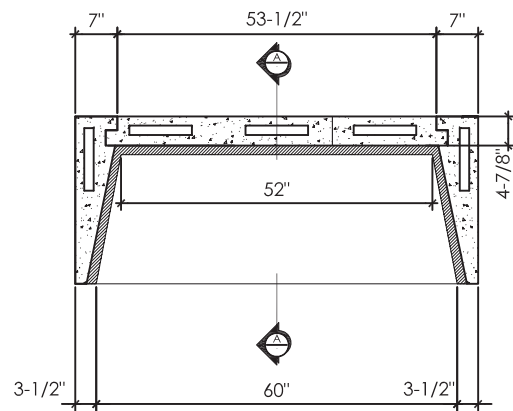


MASON-LITE



SECTION A-A



PLAN

TITLE: MFP63-63"			
DWG. NUMBER	RELEASE DATE	REV. DATE	APPROVED
S001	07/16/08	2/8/09	BH