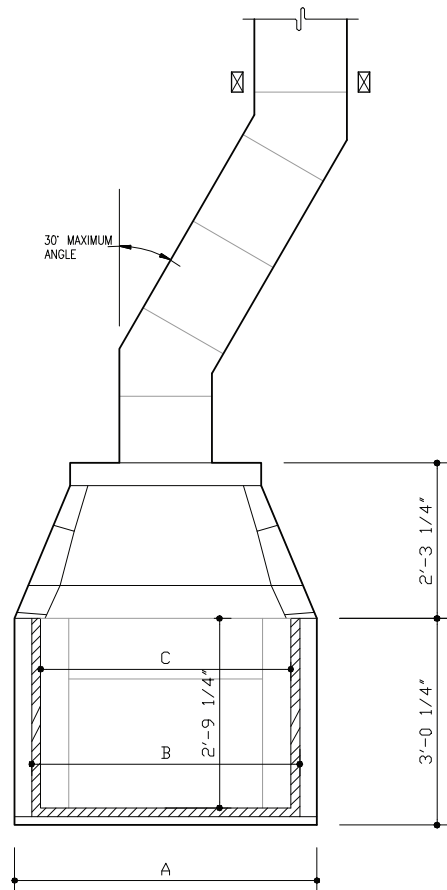
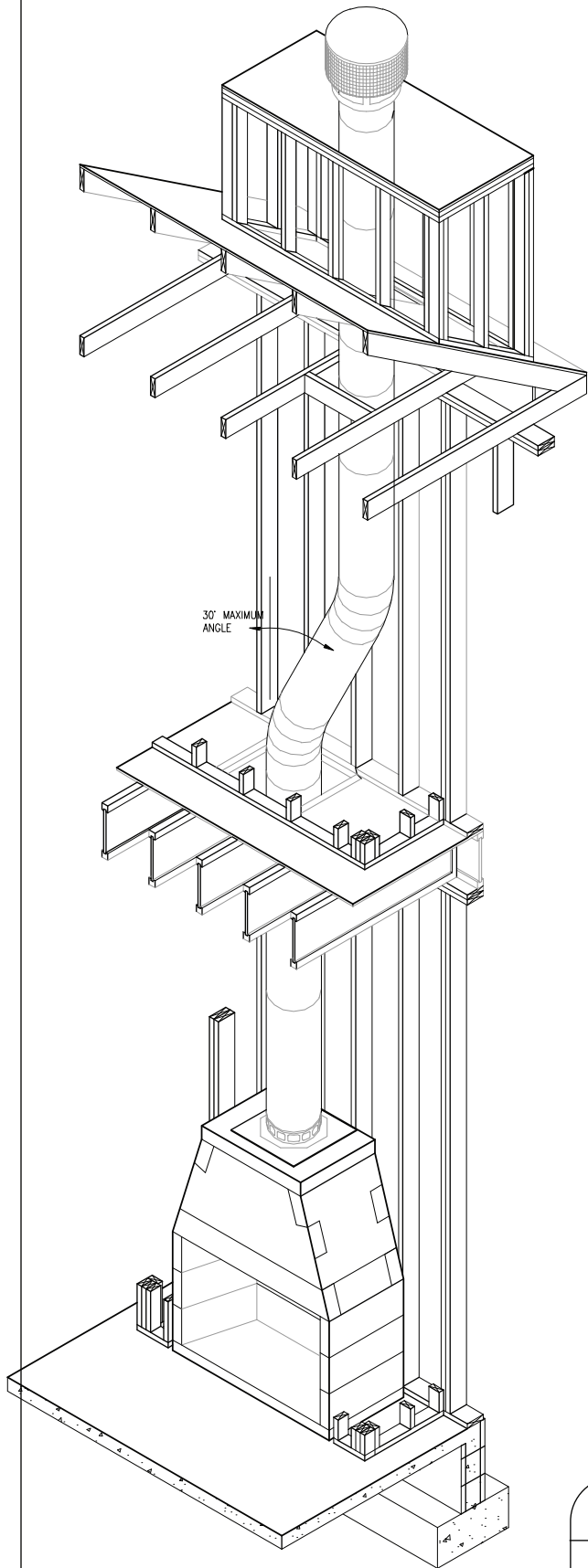


# MASON-LITE



TITLE: **METAL CHIMNEY INSTALLATION**

DWG. NUMBER

RELEASE DATE

REV. DATE

APPROVED

**S009**

**01/29/07**

**N/A**

*BH*