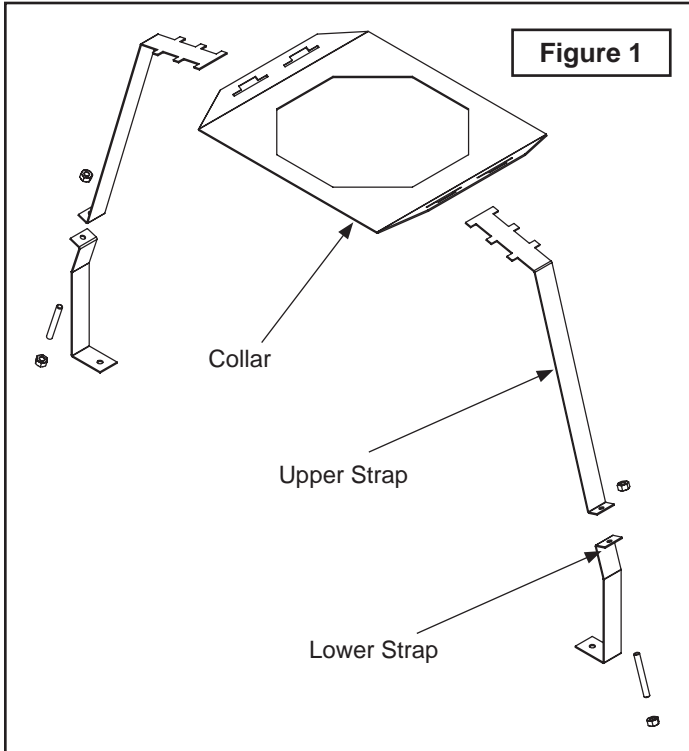


Seismic Strap Installation Instructions



1. Check that nothing is missing. Package should include 2x Upper Straps, 2x Lower Straps, 1x Collar, 1x Hardware Pack which consists of 2x 1/2-13 UNC x 4 Threaded Studs and 4x 1/2-13 UNC Nuts.
2. Assemble fireplace per instructions supplied with unit. Prior to installing last side walls, install Lower Strap so it engages with the rebar closest to the center of the unit as shown in Figure 2.
3. Complete your fireplace assembly. Once completed, Secure Collar over Anchor/Damper Plate Assembly and install Upper Straps.
4. Secure straps with hardware pack provided.

