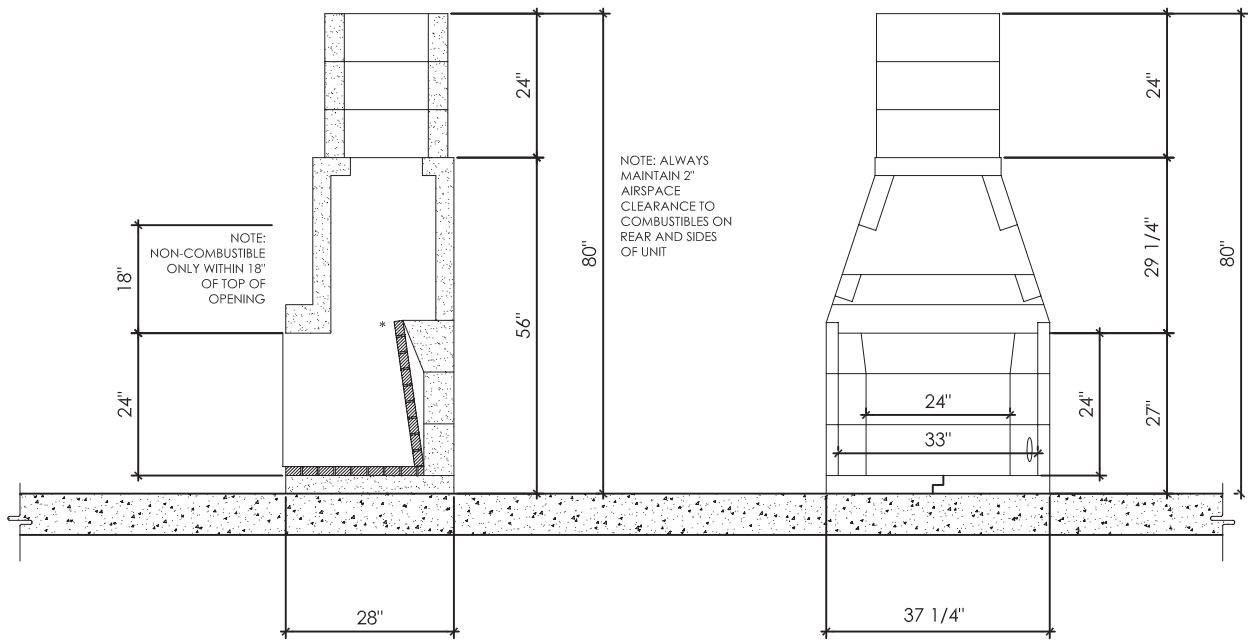
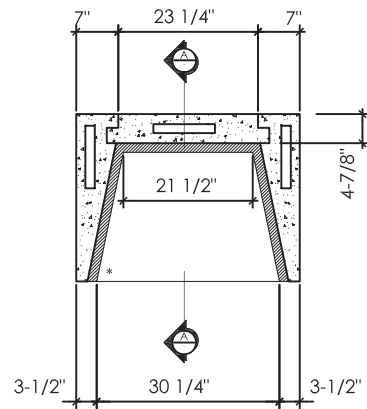


MASON-LITE



SECTION A-A

SPECIFICATIONS
WEIGHT CONSIDERATIONS: FIREBOX: 835 LBS CHIMNEY: 152 LBS MORTAR: 50 LBS (DRY) TOTAL KIT WEIGHT: 1037 LBS
DIMENSIONS: OVERALL HEIGHT: 80" OVERALL WIDTH: 37 1/4" OVERALL DEPTH: 28" ROUGH OPENING: 33"W x 24"H
*BRICK PANELS SHOWN ARE AN OPTIONAL ACCESSORY. THEY ARE AVAILABLE FROM MFI IN HERRING-BONE (MFP33-SHBL) AND RUNNING BOND (MFP33-FRBL)



PLAN

TITLE: **MFP33-33"**

DWG. NUMBER	RELEASE DATE	REV. DATE	APPROVED
S006	04/5/09	N/A	BH